



# INSTALLATION INSTRUCTIONS

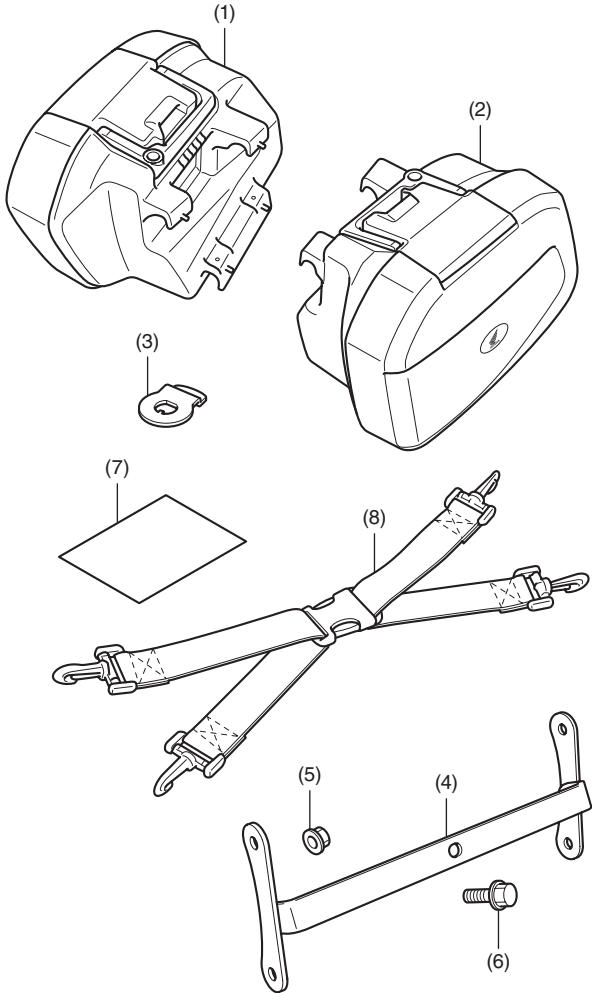
Accessory  
**SADDLEBAG**  
P/N 08L70-MGZ-A80

Application  
**CB500X/XA**

Publication No.  
**MII**  
Issue Date  
**October 2018**

**Honda Dealer: Please give a copy of these instructions to your customer.**

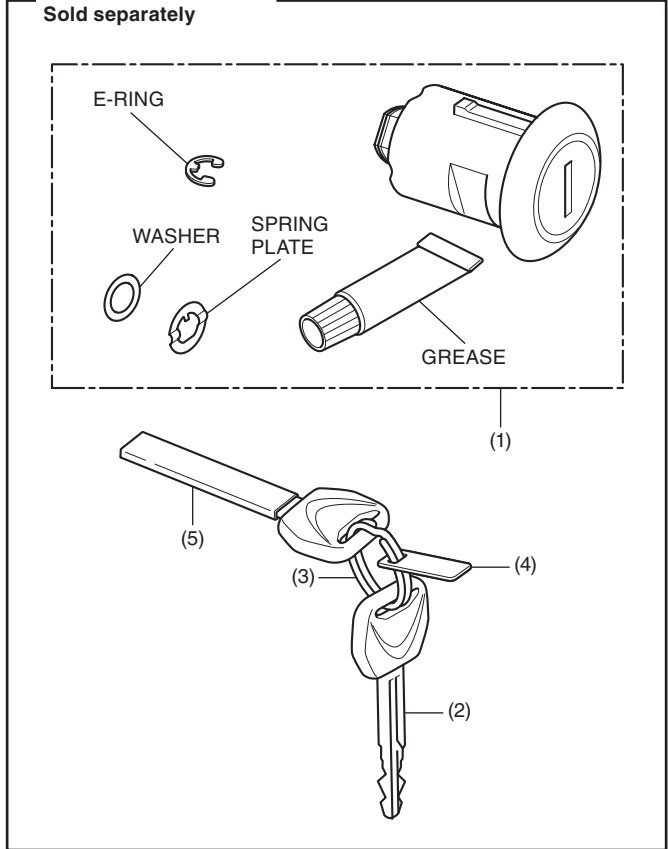
## PARTS LIST



No.	Description	Qty
(1)	Right saddlebag	1
(2)	Left saddlebag	1
(3)	Key lock plate	2
(4)	Reflector stay	1
(5)	6 mm flange nut	2
(6)	6 mm flange bolt	3
(7)	Installation Instructions URL	1
(8)	Luggage band	2

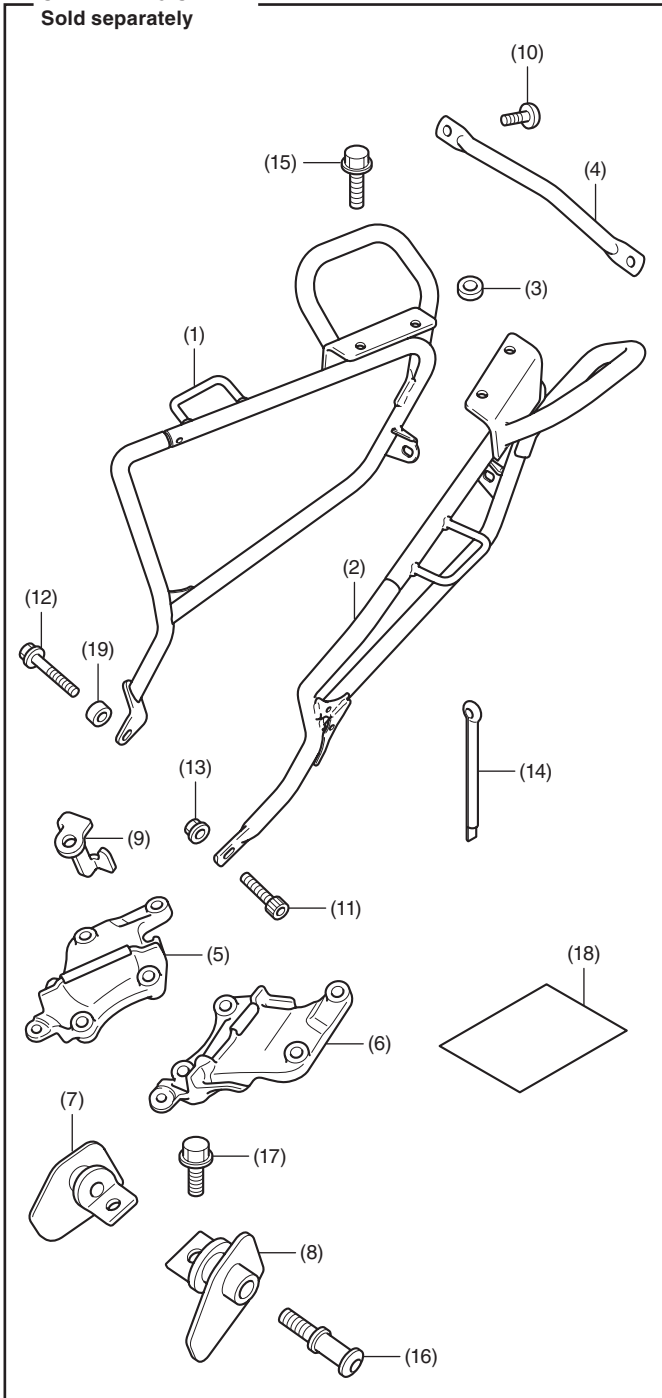
## SADDLEBAG KEY SET

Sold separately



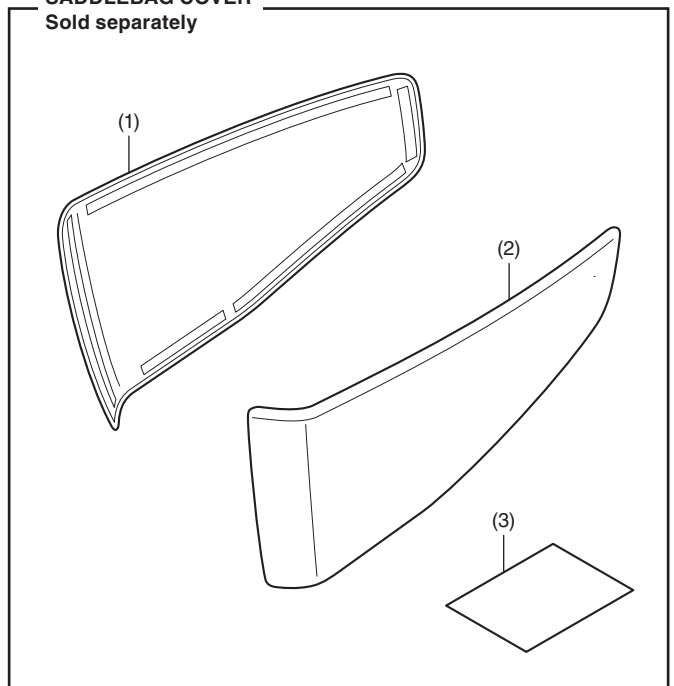
No.	Description	Qty
(1)	Key cylinder	2
(2)	Key	2
(3)	Key tie	1
(4)	Key number plate	1
(5)	Tube	1

**SADDLEBAG STAY B**  
Sold separately



No.	Description	Qty
(1)	Right saddlebag stay	1
(2)	Left saddlebag stay	1
(3)	Washer	2
(4)	Cross pipe	1
(5)	Right carrier stay	1
(6)	Left carrier stay	1
(7)	Right hook stay	1
(8)	Left hook stay	1
(9)	Helmet hook	1
(10)	8 mm socket bolt (short)	2
(11)	8 mm socket bolt (long)	1
(12)	8 mm flange bolt (long)	1
(13)	8 mm flange nut	3
(14)	Pin	1
(15)	8 mm flange bolt (short)	4
(16)	8 mm hook bolt	2
(17)	6 mm flange bolt	2
(18)	Installation Instructions URL	1
(19)	Collar	1

**SADDLEBAG COVER**  
Sold separately



No.	Description	Qty
(1)	Right saddlebag cover	1
(2)	Left saddlebag cover	1
(3)	Installation Instructions URL	1

## TOOLS AND SUPPLIES REQUIRED

Socket (10 mm)  
 Ratchet  
 Open-end wrench (10 mm)  
 Long nose pliers  
 Isopropyl alcohol  
 Shop towel  
 Torque wrench

## TORQUE CHART

Tighten all screws, bolts, and nuts to their specified torque values. Refer to the Service Manual for the torque values of the removed parts.

Item	N·m	kgf·m	lbf·ft
6 mm flange bolt and nut	12	1.2	9

## MAXIMUM LOADING CAPACITY

- The weight of the cargo must not exceed the following maximum loading capacity:

Maximum Loading Capacity	
Right saddlebag	8.8 lb (4.0 kg)
Left saddlebag	8.8 lb (4.0 kg)

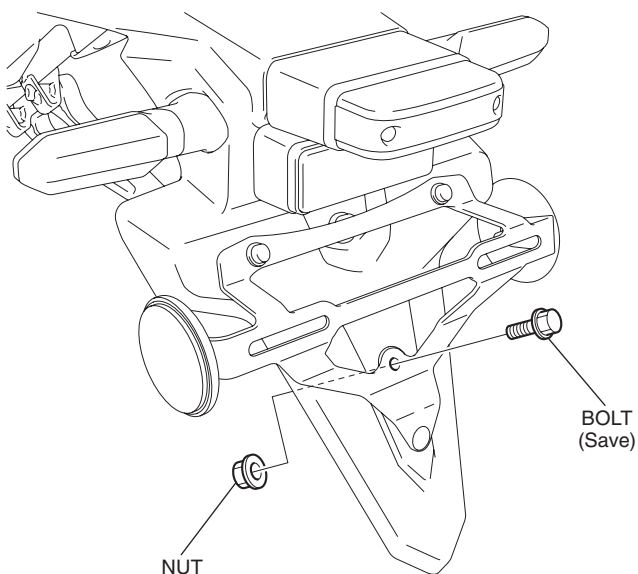
## INSTALLATION

### ⚠ CAUTION

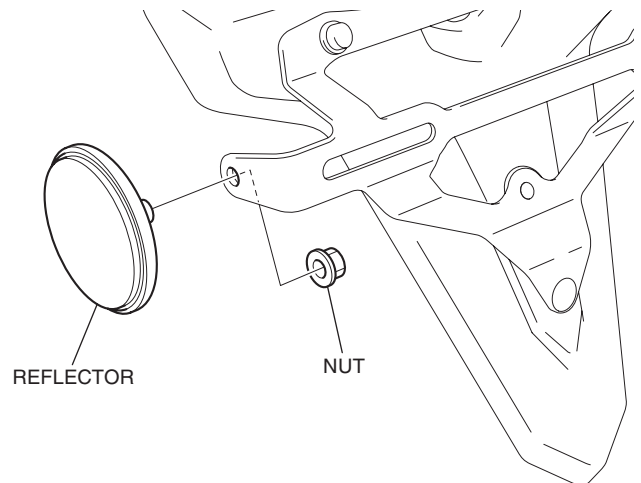
- To prevent burns, allow the engine, exhaust system, radiator, etc., to cool before installing the accessory.

- Install the separately sold saddlebag stay B.
- Remove the parts as shown.

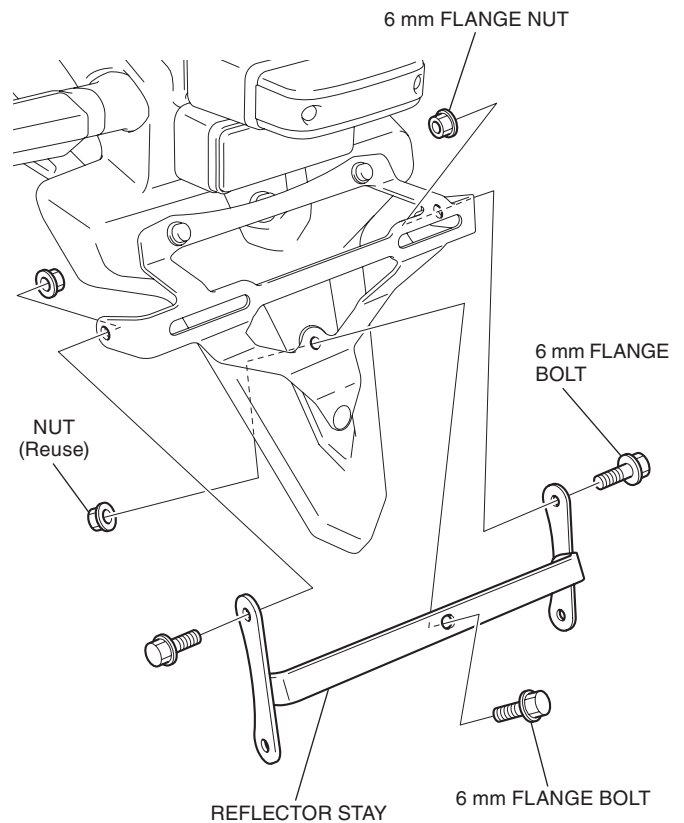
<Rear side>



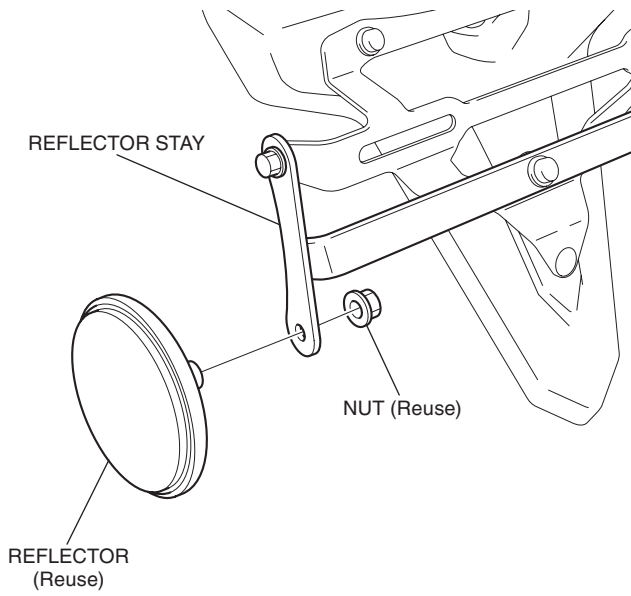
- Remove the reflector as shown.
  - Repeat on the right side.



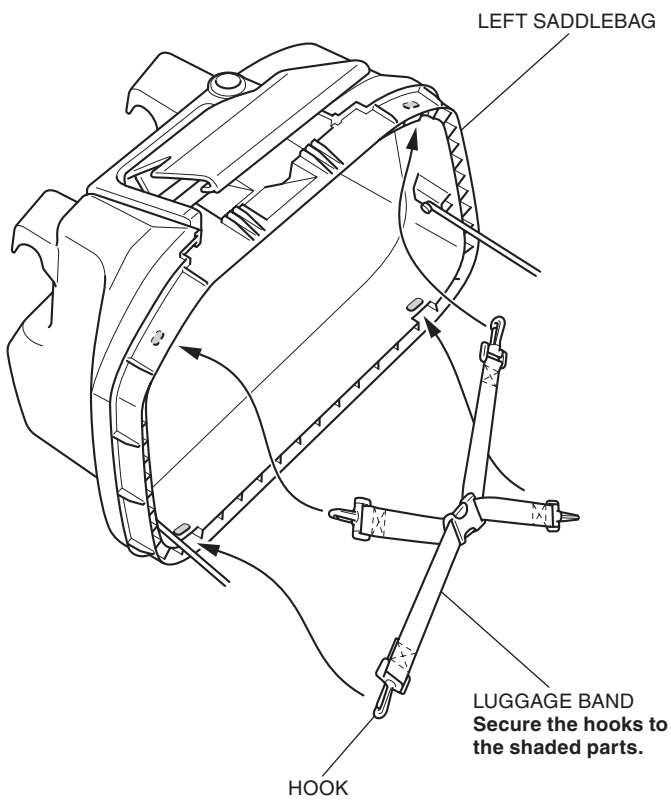
- Install the reflector stay as shown.



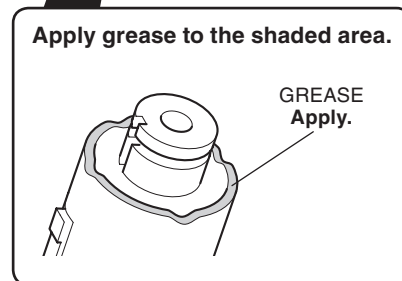
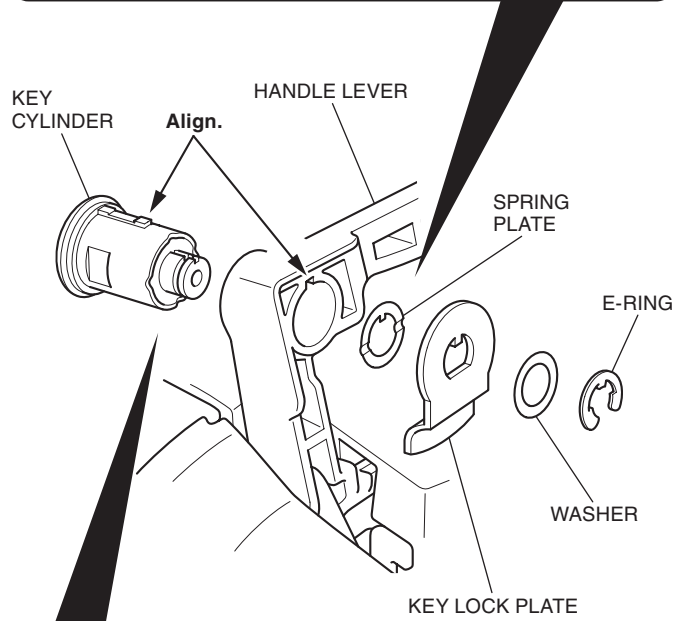
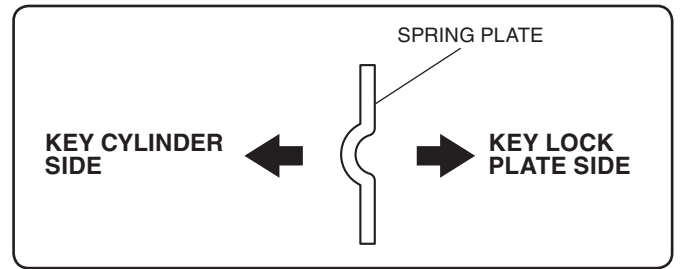
5. Install the reflector as shown.
- Repeat on the right side.



6. Install the luggage band as shown.
- Repeat on the right side.



7. Install the key cylinder on each saddlebag as shown.
- Only use the supplied grease.



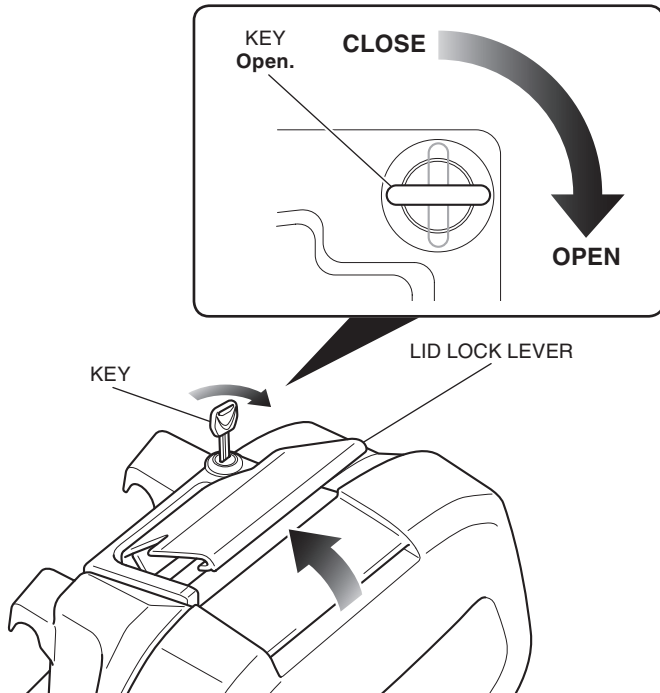
## FOR USE OF THE SADDLEBAGS

### ⚠ CAUTION

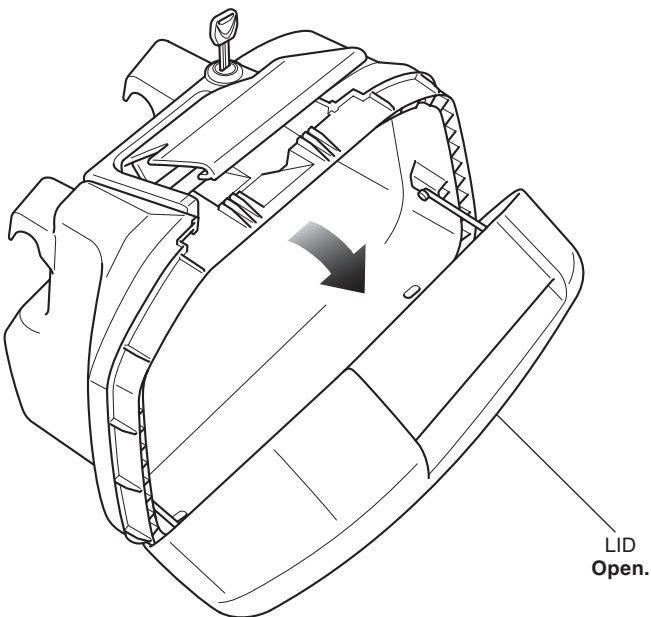
- To prevent burns, allow the engine, exhaust system, radiator, etc., to cool before installing and removing the accessory.

### How to Open the Saddlebags

1. Install the key. Release the lock by turning the key clockwise and lift the lid lock lever as shown.



2. Open the lid as shown.

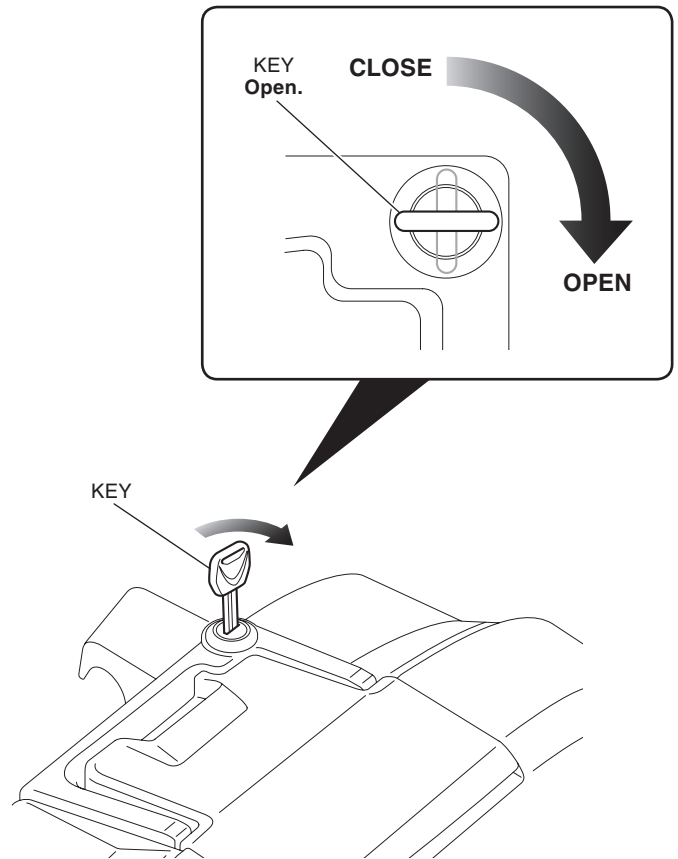


### How to Close the Saddlebags

1. Close and lock the saddlebags in the reverse order of opening.
  - Be careful not to have the stored item pinched when the saddlebag is closed.

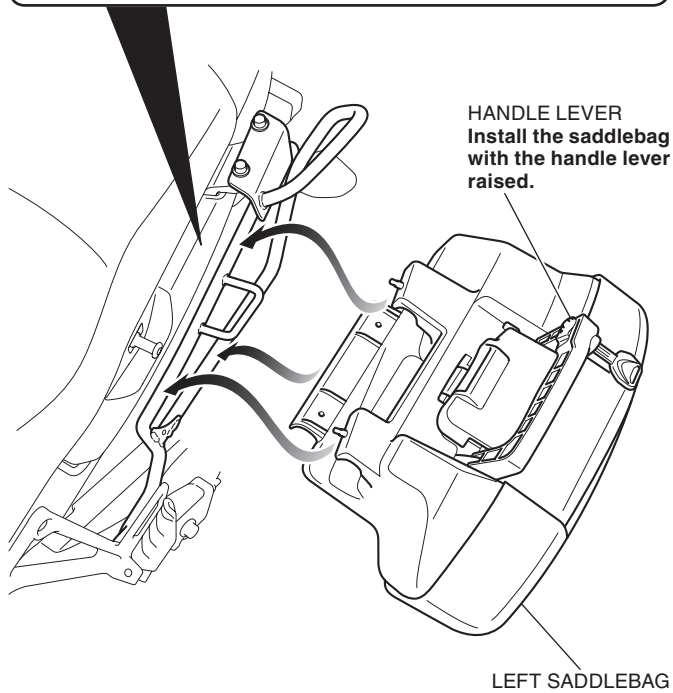
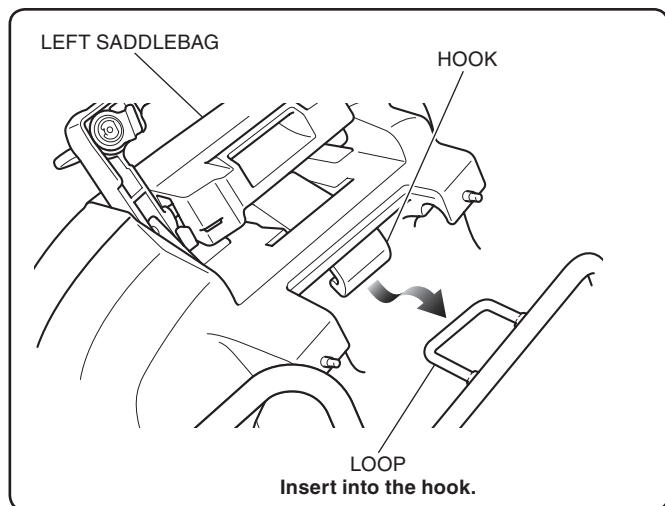
## How to Install the Saddlebags

1. Install the key. Release the lock by turning the key clockwise.

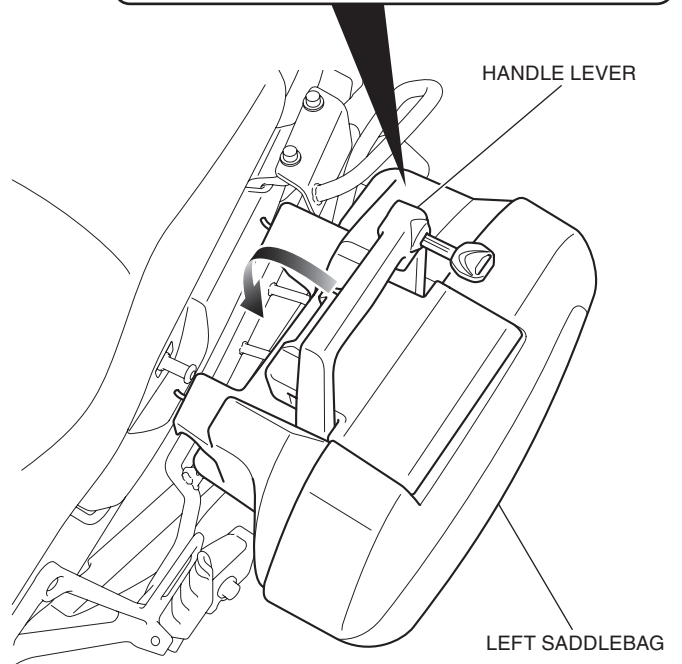
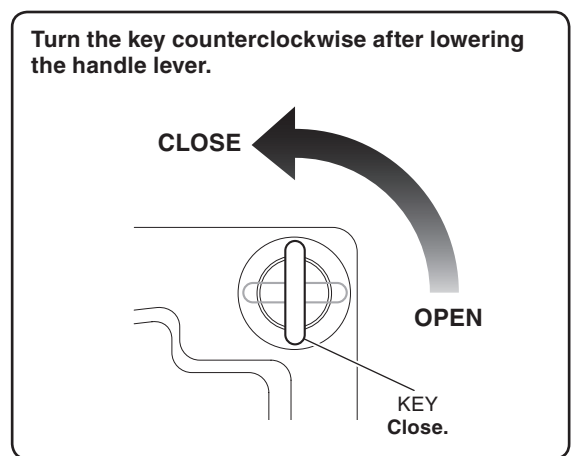


2. Install the left saddlebag as shown.

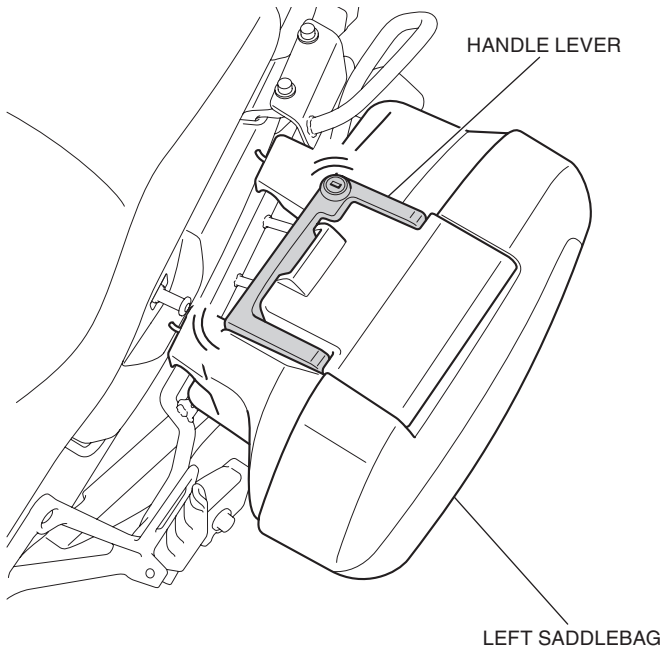
<Left side>



3. Lower the handle lever and lock the left saddlebag by turning the key counterclockwise as shown.



4. Remove the key. Be sure that the handle lever cannot be released and the left saddlebag is installed securely.
  - **The left saddlebag can come off during riding unless it is mounted securely.**



5. Install the right saddlebag in the same manner as the left side.

### How to Remove the Saddlebags

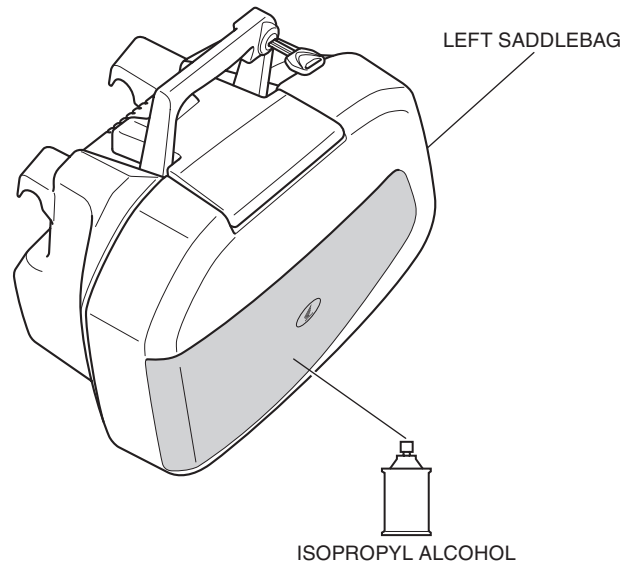
1. Remove the saddlebags in the reverse order of installation.

### How to Install the Saddlebag Covers

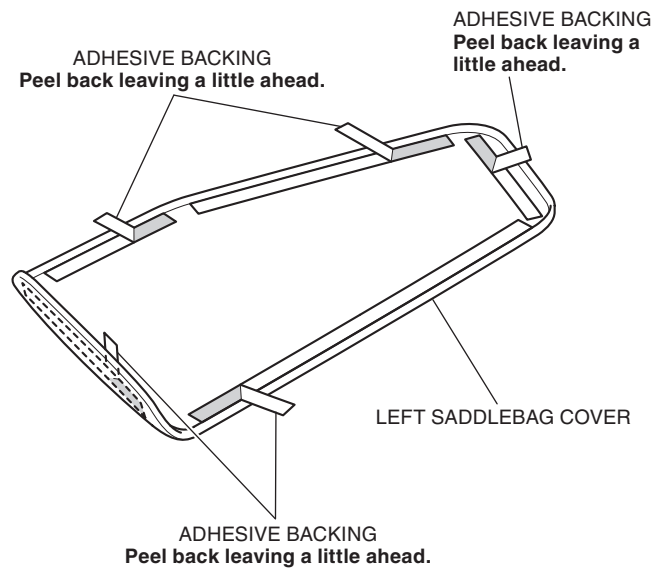
#### NOTE:

- Heat the bonding surfaces with a hair dryer if the ambient air temperature is below 70°F (21°C).
- The adhesive reaches full strength in 72 hours. Wait at least 24 hours before riding your motorcycle.

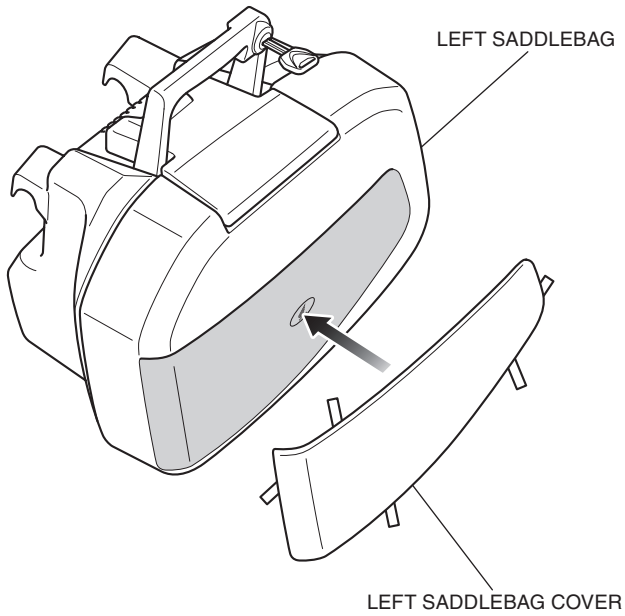
1. Remove the left saddlebag.
2. Clean the surface of the area shown using an isopropyl alcohol.



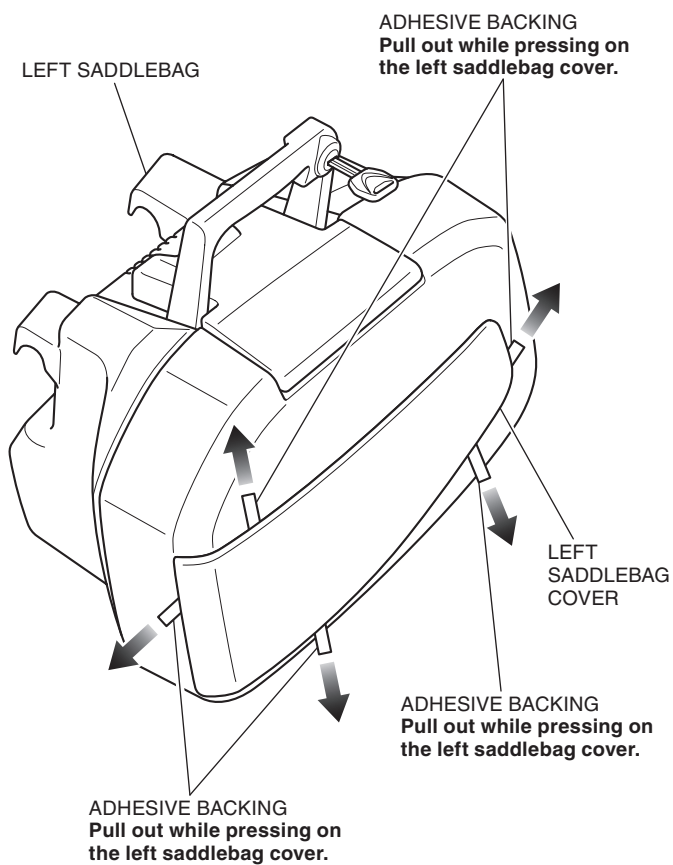
3. Peel off the adhesive backings on the left saddlebag cover as shown.



4. Attach the left saddlebag cover as shown.



5. Remove the adhesive backing as shown.



6. Apply adequate pressure to the attached left saddlebag cover.
7. Attach the right saddlebag cover in the same manner as the left side.